

Please write clearly in block capitals.

Centre number

Candidate number

Surname \_\_\_\_\_

Forename(s) \_\_\_\_\_

Candidate signature \_\_\_\_\_

I declare this is my own work.

# A-level PHYSICS

## Paper 1

Time allowed: 2 hours

### Materials

For this paper you must have:

- a pencil and a ruler
- a scientific calculator
- a Data and Formulae Booklet
- a protractor.

### Instructions

- Use black ink or black ball-point pen.
- Fill in the boxes at the top of this page.
- Answer **all** questions.
- You must answer the questions in the spaces provided. Do not write outside the box around each page or on blank pages.
- If you need extra space for your answer(s), use the lined pages at the end of this book. Write the question number against your answer(s).
- Do all rough work in this book. Cross through any work you do not want to be marked.
- Show all your working.

### Information

- The marks for questions are shown in brackets.
- The maximum mark for this paper is 85.
- You are expected to use a scientific calculator where appropriate.
- A Data and Formulae Booklet is provided as a loose insert.

For Examiner's Use	
Question	Mark
1	
2	
3	
4	
5	
6	
7–31	
<b>TOTAL</b>	



**Section A**Answer **all** questions in this section.**0 1**Two stable isotopes of helium are  ${}^4_2\text{He}$  and  ${}^3_2\text{He}$ .**0 1 . 1**

An atom of  ${}^4_2\text{He}$  is produced in a rock that contains uranium. It is produced following the radioactive decay of a  ${}^{238}_{92}\text{U}$  atom. The decay also creates an atom of thorium (Th).

Write an equation for the decay of  ${}^{238}_{92}\text{U}$ .

**[2 marks]****0 1 . 2**

A  ${}^3_2\text{He}$  nucleus can be produced by the decay of a tritium nucleus  ${}^3_1\text{H}$ .

State and explain which exchange particle is responsible for this decay.

**[2 marks]**


---



---



---



---



---

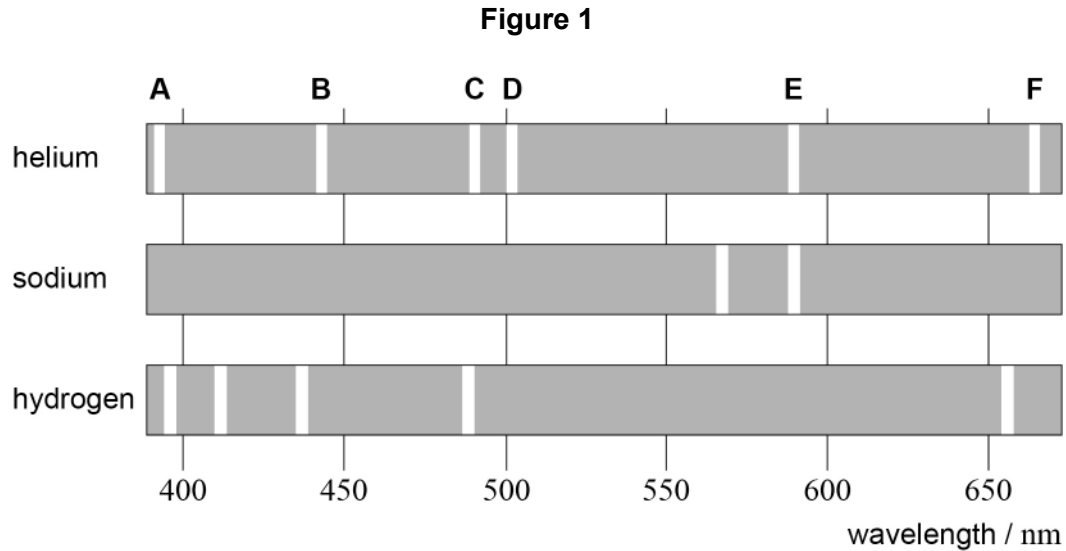


---



Helium was discovered by analysing the light in the **absorption** spectrum of the Sun.

**Figure 1** shows the positions of the brightest lines, labelled **A** to **F**, in the **emission** spectrum of helium. The brightest lines in the emission spectra of sodium and hydrogen are also shown.



0 1 . 3

Before helium was identified, some scientists suggested that the lines of the helium spectrum seen in the absorption spectrum of the Sun were due to the presence of sodium and hydrogen.

Discuss, with reference to the lines **A** to **F** in **Figure 1**, the evidence for and against this suggestion.

[2 marks]

---



---



---



---



---



---



---



---



---



---

Question 1 continues on the next page

Turn over ►





0 2

Carbon-14 decays into nitrogen-14 with the release of a beta ( $\beta^-$ ) particle and an antineutrino ( $\bar{\nu}_e$ ).

0 2 . 1

State the change of quark character in  $\beta^-$  decay.

[1 mark]

---

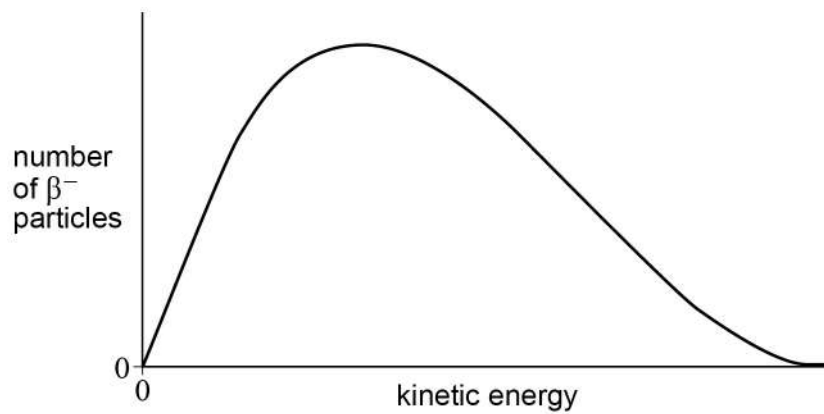


---

0 2 . 2

**Figure 2** shows the distribution of kinetic energies of  $\beta^-$  particles from the decay of carbon-14.

**Figure 2**



Explain how **Figure 2** supports the existence of the antineutrino.

[2 marks]

---



---



---



---



---



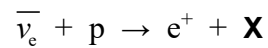
---

**Question 2 continues on the next page**

**Turn over ►**



The existence of the antineutrino was confirmed by experiments in which antineutrinos interact with protons. The equation for this interaction is:



0 2 . 3

Identify particle **X**.

[1 mark]

---

0 2 . 4

The positron released in this interaction is annihilated when it encounters an electron. A pair of gamma photons is then produced. Particle **X** can be absorbed by a nucleus. This produces another gamma ray. **Table 1** contains data for three gamma photons detected during an antineutrino–proton interaction experiment.

**Table 1**

Gamma photon	Photon energy / J
G1	$5.0 \times 10^{-14}$
G2	$6.6 \times 10^{-14}$
G3	$1.0 \times 10^{-13}$

Deduce which of the three gamma photons could have been produced by positron annihilation.

[3 marks]

---



---



---



**Turn over for the next question**

*Do not write  
outside the  
box*

**DO NOT WRITE ON THIS PAGE  
ANSWER IN THE SPACES PROVIDED**

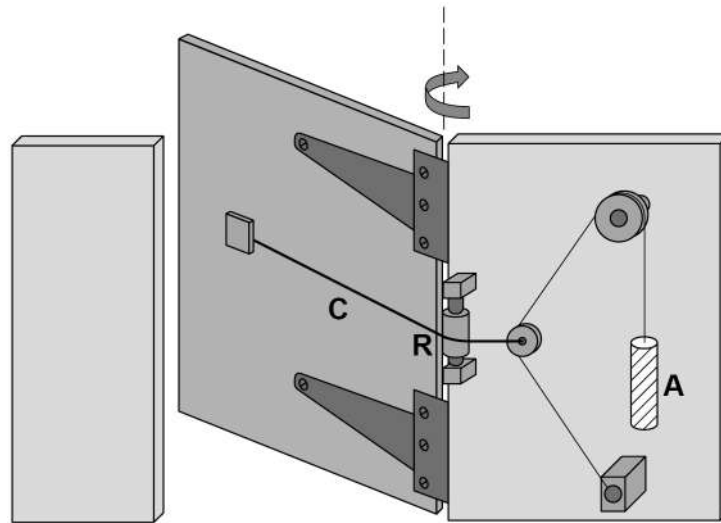
**Turn over ►**



0 3

**Figure 3** shows a garden gate with a pulley system designed to close the gate.

**Figure 3**



The pulley system raises weight **A** when the gate is opened. When the gate is released, **A** falls. The horizontal cable **C** passes over pulley **R**. The tension in cable **C** causes the gate to close.

Weight **A** is a solid cylinder with the following properties:

$$\text{diameter} = 4.8 \times 10^{-2} \text{ m}$$

$$\text{length} = 0.23 \text{ m}$$

$$\text{weight} = 35 \text{ N}$$

**Table 2** gives the density of three available materials.

**Table 2**

Material	Density / $\text{kg m}^{-3}$
concrete	$2.4 \times 10^3$
iron	$7.8 \times 10^3$
brass	$8.6 \times 10^3$





0	3	.	1
---	---	---	---

Deduce which **one** of the three materials is used for **A**.

**[3 marks]**

---

---

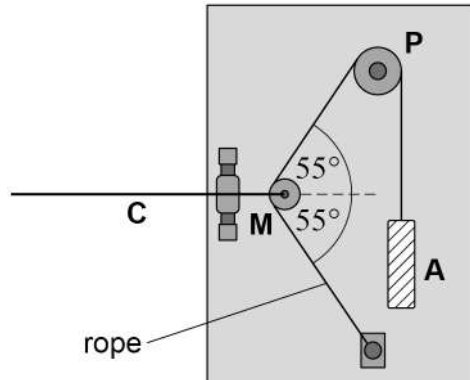
**Question 3 continues on the next page**

**Turn over ►**



Figure 4 shows the pulley arrangement when the gate is closed.

Figure 4



Pulleys **P** and **M** are frictionless so that the tension in the rope attached to **A** is equal to the weight of **A**.

**A** weighs 35 N and the weight of moveable pulley **M** is negligible.

0 3 . 2 Calculate the tension in the horizontal cable **C** when the gate is closed.

[2 marks]

tension = \_\_\_\_\_ N

0 3 . 3 Pulley **M** is pulled to the left as the gate is opened.

Explain why this increases the tension in the horizontal cable **C**.

[2 marks]

---



---



---



---



---



**Question 3 continues on the next page**

*Do not write  
outside the  
box*

**DO NOT WRITE ON THIS PAGE  
ANSWER IN THE SPACES PROVIDED**

**Turn over ►**

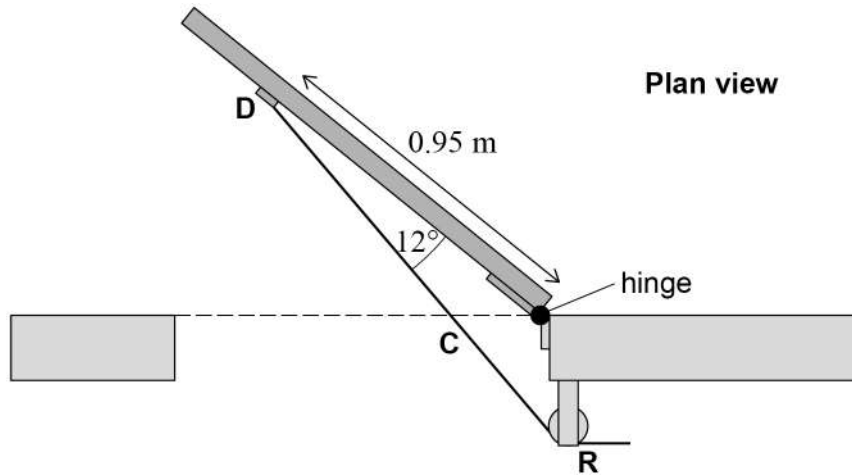


0 3 . 4

**Figure 5** shows a plan view with the gate open. The horizontal cable **C** passes over pulley **R** and is attached to the door at **D**. The angle between the door and the horizontal cable **C** is  $12^\circ$ .

The horizontal distance between the hinge and **D** is 0.95 m.

**Figure 5**



The tension in the horizontal cable **C** is now 41 N.

Calculate the moment of the tension about the hinge.

**[2 marks]**

moment = \_\_\_\_\_ N m



0 3 . 5

The same system is attached to an identical gate with stiffer hinges. Now the system does not supply a sufficiently large moment to close the gate.

Discuss **two** independent changes to the design to increase the moment about the hinges due to horizontal cable **C**.

[4 marks]

1 \_\_\_\_\_

\_\_\_\_\_

\_\_\_\_\_

\_\_\_\_\_

\_\_\_\_\_

2 \_\_\_\_\_

\_\_\_\_\_

\_\_\_\_\_

\_\_\_\_\_

\_\_\_\_\_

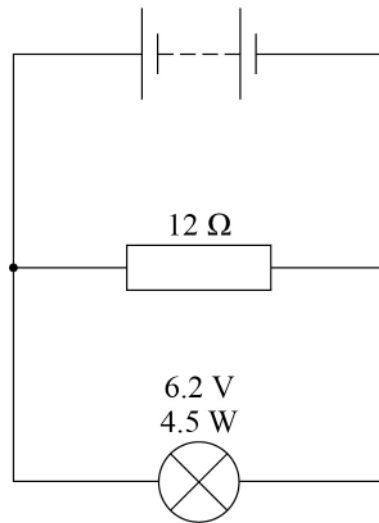
13

Turn over for the next question

Turn over ►



0 4

A student assembles the circuit in **Figure 6**.**Figure 6**The battery has an internal resistance of  $2.5 \Omega$ .

0 4 . 1

Show that the resistance of the  $6.2 \text{ V}$ ,  $4.5 \text{ W}$  lamp at its working potential difference (pd) is about  $9 \Omega$ .**[1 mark]**

0 4 . 2

The terminal pd across the battery is  $6.2 \text{ V}$ .

Calculate the emf of the battery.

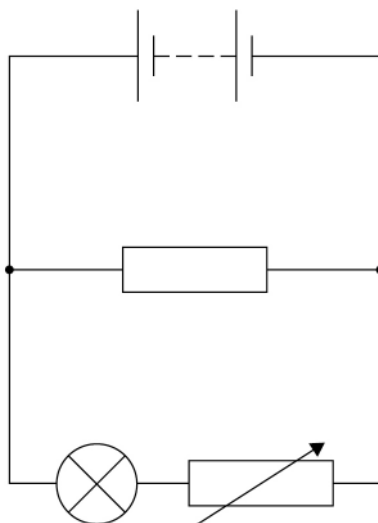
**[3 marks]**

emf = \_\_\_\_\_ V



The student makes a variable resistor to control the brightness of the lamp.  
**Figure 7** shows her circuit.

**Figure 7**



0 4 . 3

She uses a resistance wire with a diameter of 0.19 mm to make the variable resistor.  
A 5.0 m length of this wire has a resistance of 9.0  $\Omega$ .

Calculate the resistivity of the wire.

**[3 marks]**

resistivity = \_\_\_\_\_  $\Omega$  m

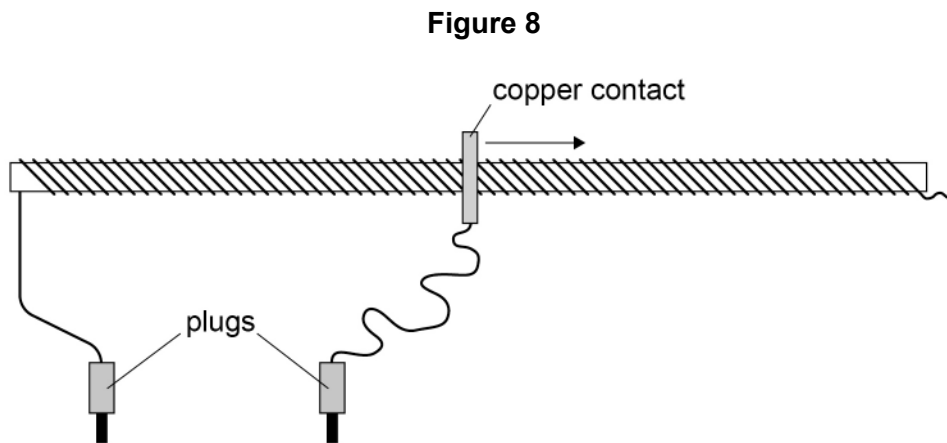
**Question 4 continues on the next page**

**Turn over ►**



0 4 . 4

**Figure 8** shows the 5.0 m length of wire wrapped around a tube to make the variable resistor.



Two plugs connect the variable resistor into the circuit. A moveable copper contact is used to vary the length of wire in series with the lamp.

When the contact is placed on the tube at one particular position, the lamp is dim. The contact is then moved slowly to the right as shown in **Figure 8**.

Explain, without calculation, what happens to the brightness of the lamp as the contact is moved.

**[2 marks]**

---



---



---



---



---



---



---





0 4 . 5

The student now makes a different circuit by connecting the variable resistor **in parallel** with the lamp.

The contact is returned to its original position on the tube as shown in **Figure 8** and the lamp is dim. The contact is again slowly moved to the right.

Explain, without calculation, what happens to the brightness of the lamp as the contact is moved.

[2 marks]

---

---

---

---

---

---

---

11

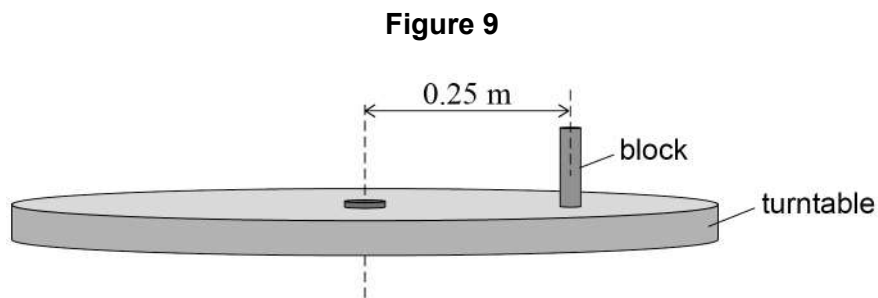
**Turn over for the next question**

**Turn over ►**



**0 5**

A teacher sets up a demonstration to show the relationship between circular motion and simple harmonic motion (SHM). She places a block on a turntable at a point 0.25 m from its centre, as shown in **Figure 9**.



The turntable rotates with an angular speed of  $1.8 \text{ rad s}^{-1}$  and the block does not slip.

**0 5 . 1**

Calculate the time taken for the turntable to complete one revolution.

**[2 marks]**

time = \_\_\_\_\_ s



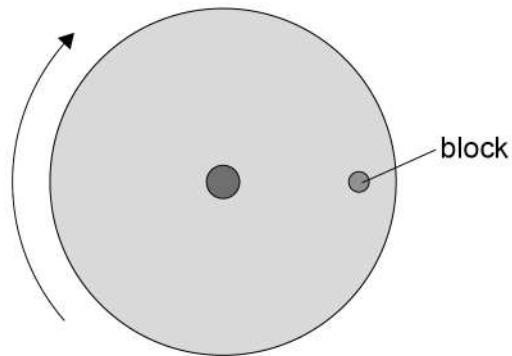
0 5 . 2

**Figure 10** shows a plan view of the turntable and block.  
The turntable rotates in a clockwise direction.

Draw an arrow on **Figure 10** to show the direction of the resultant force on the block.

[1 mark]

Figure 10



0 5 . 3

The mass of the block is 0.12 kg.

Calculate the magnitude of the resultant force on the block.

[2 marks]

magnitude of force = \_\_\_\_\_ N

**Question 5 continues on the next page**

**Turn over ►**



0 5 . 4

Describe, with reference to one of Newton's laws of motion, the evidence that a resultant force is acting on the block.

**[2 marks]**

---

---

---

---

---

0 5 . 5

The teacher adjusts the angular speed of the turntable so that the block completes one rotation every 2.50 s.  
She sets up a simple pendulum above the centre of the turntable so that it swings in phase with the movement of the block.

Calculate the length of the simple pendulum.

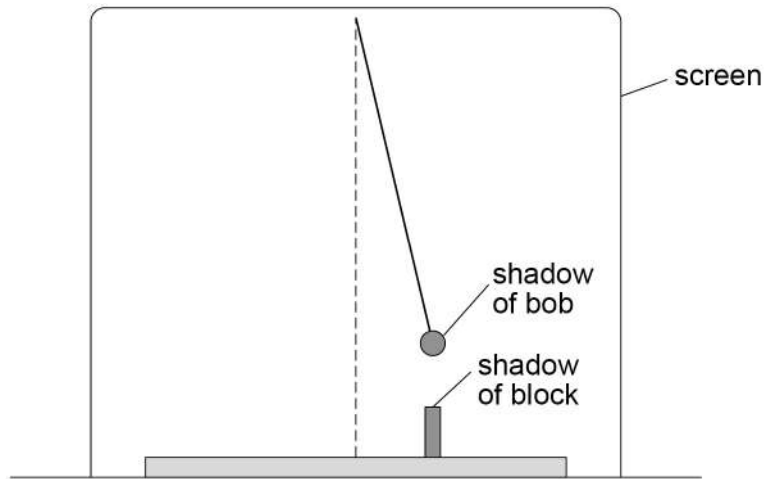
**[2 marks]**

length = \_\_\_\_\_ m



0 5 . 6

A lamp is used to project shadow images of the block and pendulum bob on a screen. Both shadows appear to move with SHM across the screen. **Figure 11** shows the images on the screen at one instant.

**Figure 11**

Initially the shadows move in phase with the same amplitude.

Air resistance affects the motion of the pendulum.

Suggest the effect this has on the amplitude relationship and the phase relationship between the moving shadows.

**[2 marks]**

amplitude \_\_\_\_\_

\_\_\_\_\_

phase \_\_\_\_\_

\_\_\_\_\_

11

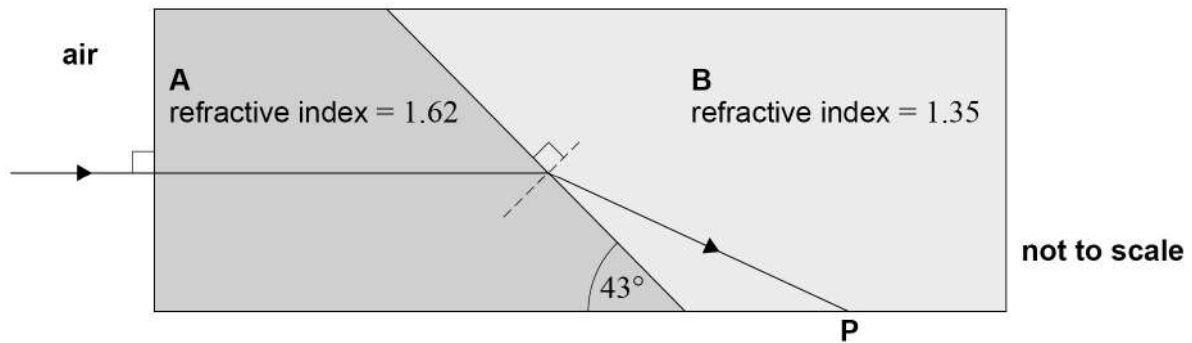
**Turn over ►**

0 6

Two transparent prisms **A** and **B** of different refractive indices are placed in contact to produce a rectangular block.

**Figure 12** shows the path of a ray, incident normally on **A**, refracting as it crosses the boundary between the prisms.

Figure 12



0 6 . 1

Explain how the path of the ray shows that the refractive index of **A** is greater than the refractive index of **B**.

[1 mark]

---



---



---



---



**0 6 . 2** Show that the angle of refraction of the ray in **B** is about  $60^\circ$ .

**[2 marks]**

**0 6 . 3** Draw, on **Figure 12**, the path of the ray immediately after it reaches **P**.  
Justify your answer with calculations.

**[3 marks]**

**6**

**END OF SECTION A**

**Turn over ►**



## Section B

Each of Questions **07** to **31** is followed by four responses, **A**, **B**, **C** and **D**.


For each question select the best response.


Only **one** answer per question is allowed.

For each question, completely fill in the circle alongside the appropriate answer.

CORRECT METHOD

WRONG METHODS

If you want to change your answer you must cross out your original answer as shown. 

If you wish to return to an answer previously crossed out, ring the answer you now wish to select as shown. 

You may do your working in the blank space around each question but this will not be marked.  
Do **not** use additional sheets for this working.

**0 7** Which two quantities have the base unit  $\text{kg m}^2 \text{s}^{-2}$ ?

[1 mark]

- A** kinetic energy and momentum
- B** kinetic energy and Young modulus
- C** work done and the moment of a couple
- D** work done and pressure

**0 8** Which gives SI prefixes in descending order of magnitude?

[1 mark]

- A** G p m
- B** M G n
- C** m n  $\mu$
- D** m  $\mu$  p





**0 9** A car travels at  $100 \text{ km h}^{-1}$  on a motorway.

What is an estimate of its kinetic energy?

[1 mark]

**A**  $10^4 \text{ J}$

**B**  $10^6 \text{ J}$

**C**  $10^8 \text{ J}$

**D**  $10^{10} \text{ J}$

**1 0** What is the specific charge of a  ${}^{13}_6\text{C}$  nucleus?

[1 mark]

**A**  $4.4 \times 10^7 \text{ C kg}^{-1}$

**B**  $5.2 \times 10^7 \text{ C kg}^{-1}$

**C**  $8.3 \times 10^7 \text{ C kg}^{-1}$

**D**  $2.1 \times 10^8 \text{ C kg}^{-1}$

**1 1** Which row describes the variation with distance of the strong nuclear force?

[1 mark]

	Attractive	Repulsive	
<b>A</b>	beyond 3 fm	from 0.5 fm to 3 fm	<input type="radio"/>
<b>B</b>	from 0.5 fm to 3 fm	beyond 3 fm	<input type="radio"/>
<b>C</b>	from 0.5 fm to 3 fm	up to 0.5 fm	<input type="radio"/>
<b>D</b>	up to 0.5 fm	from 0.5 fm to 3 fm	<input type="radio"/>

Turn over ►



**1 2**

Which statement is correct?

**[1 mark]**

- A** All strange particles are mesons.
- B** Strange particles are always created in pairs.
- C** Strangeness can only change in strong interactions.
- D** Strangeness can only have a value of 0 or  $-1$

**1 3**

Which combination of quarks is possible?

**[1 mark]**

- A**  $sd$
- B**  $s\bar{u}$
- C**  $s\bar{u}d$
- D**  $ud$

**1 4**In photoelectricity,  $V_s$  is the stopping potential.What quantity is  $eV_s$ ?**[1 mark]**

- A** energy of an incident photon
- B** maximum kinetic energy of a photoelectron
- C** threshold frequency  $\times$  the Planck constant
- D** work function



**1 5**

A fluorescent tube contains a gas.

The coating of the tube

**[1 mark]****A** becomes ionised by the gas and emits photons of ultraviolet light.**B** absorbs photons of ultraviolet light from the gas and emits visible light.**C** absorbs photons of ultraviolet light from the gas and emits photoelectrons.**D** absorbs several photons of visible light from the gas and then emits one photon of ultraviolet light.**1 6**

Which row gives evidence for the wave nature of electrons and evidence for the particulate nature of light?

**[1 mark]**

	Wave nature of electrons	Particulate nature of light	
<b>A</b>	electron diffraction	photoelectric effect	<input type="checkbox"/>
<b>B</b>	electron diffraction	single-slit diffraction	<input type="checkbox"/>
<b>C</b>	photoelectric effect	single-slit diffraction	<input type="checkbox"/>
<b>D</b>	photoelectric effect	electron diffraction	<input type="checkbox"/>

**1 7**

Which particle has the smallest de Broglie wavelength?

**[1 mark]****A** an electron moving at  $4 \times 10^3 \text{ m s}^{-1}$ **B** a proton moving at  $4 \times 10^3 \text{ m s}^{-1}$ **C** an electron moving at  $8 \times 10^5 \text{ m s}^{-1}$ **D** a proton moving at  $8 \times 10^5 \text{ m s}^{-1}$ **Turn over ►**

**1 8**

A longitudinal wave of frequency 660 Hz travels through a medium.  
The wave speed is  $330 \text{ m s}^{-1}$ .

Which statement describes the motion of a particle in the wave?

**[1 mark]**

- A** It is travelling at a speed of  $330 \text{ m s}^{-1}$ .
- B** It moves in phase with a particle in the wave 25 cm away.
- C** It oscillates with a time period of 1.5 ms.
- D** It changes direction 660 times every second.

**1 9**

The frequency of the first harmonic of a standing wave on a string is  $f$ .  
The tension in the string is  $T$ .  
The tension is increased to  $4T$  without changing the length or mass of the string.

Which harmonic has a frequency  $2f$  after this change?

**[1 mark]**

- A** first
- B** second
- C** third
- D** fourth

**2 0**

Light of wavelength  $5.2 \times 10^{-7} \text{ m}$  is used in a Young's double-slit experiment.  
The distance from the slits to the screen is 1.5 m.  
The width of ten fringes is 3.5 cm.

What is the separation of the two slits?

**[1 mark]**

- A**  $2.2 \times 10^{-5} \text{ m}$
- B**  $9.9 \times 10^{-5} \text{ m}$
- C**  $1.1 \times 10^{-4} \text{ m}$
- D**  $2.2 \times 10^{-4} \text{ m}$



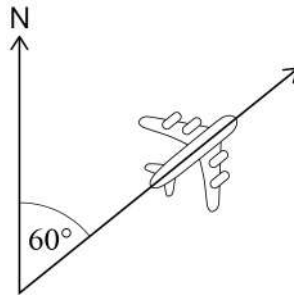
**2 1** Monochromatic light of wavelength  $5.8 \times 10^{-7}$  m is incident normally on a plane transmission diffraction grating that has a slit separation of  $2.5 \times 10^{-6}$  m.

How many maxima are produced by the grating?

[1 mark]

- A** 4
- B** 5
- C** 8
- D** 9

**2 2** An aeroplane flies horizontally at  $150 \text{ m s}^{-1}$  along a bearing  $60^\circ$  east of north.



How far north from its starting position is the aeroplane after one hour?

[1 mark]

- A** 270 km
- B** 470 km
- C** 510 km
- D** 540 km

Turn over ►



**2 3**

A ball is thrown vertically upwards and returns to its original position 2.4 s later.  
The effect of air resistance is negligible.

What is the total distance travelled by the ball?

**[1 mark]**

**A** 5.9 m

**B** 7.1 m

**C** 14 m

**D** 28 m

**2 4**

A truck of mass  $2.1 \times 10^3$  kg tows a car of mass  $1.3 \times 10^3$  kg along a horizontal road.  
The total resistive force on the car is 1100 N.  
The acceleration of the car and truck is  $2.3 \text{ m s}^{-2}$ .



What is the tension in the tow rope?

**[1 mark]**

**A** 3000 N

**B** 4100 N

**C** 7800 N

**D** 8900 N



**2 5**

A parachutist descends to the ground at a constant speed with the parachute open.



Which force, together with the parachutist's weight, makes a pair according to Newton's third law of motion?

**[1 mark]**

- A** the drag force on the parachutist from the air
- B** the tension in the strings of the parachute
- C** the gravitational force of the parachutist on the Earth
- D** the lift force on the parachute from the air

**2 6**

A tennis ball has a mass of 58 g.  
The ball is dropped from rest from a height of 1.8 m above the ground and falls vertically.  
The ball rebounds vertically to a height of 1.1 m.  
The effect of air resistance is negligible.

What is the change in momentum of the ball during its collision with the ground?

**[1 mark]**

- A** 0.040 N s
- B** 0.075 N s
- C** 0.215 N s
- D** 0.614 N s

**Turn over ►**

**2 7**

A mass  $M$  is suspended from a spring. When the mass is at rest at the equilibrium position, the elastic potential energy stored is  $E$ .  
An extra mass of  $2M$  is added to the spring and the spring extends while still obeying Hooke's law.

What is the total elastic energy stored when the system is at rest at the new equilibrium position?

**[1 mark]**

**A**  $2E$

**B**  $3E$

**C**  $4E$

**D**  $9E$

**2 8**

Two wires P and Q are made of the same material and have the same cross-sectional area.

P has an original length  $L$  and is subject to a tensile force  $F$ . P extends a distance  $x$ .

Q has an original length  $2L$  and is subject to a tensile force  $2F$ .

Which statement is correct?

**[1 mark]**

**A** The stress in P and the stress in Q are the same.

**B** The extension of Q is  $2x$ .

**C** The strain of Q is double the strain of P.

**D** The value of  $\frac{\text{stress}}{\text{strain}}$  for P is half that of Q.

**2 9**

The current in a metallic conductor is 1.5 mA.

How many electrons pass a point in the conductor in two minutes?

**[1 mark]**

**A**  $1.1 \times 10^{18}$

**B**  $1.9 \times 10^{19}$

**C**  $1.4 \times 10^{20}$

**D**  $2.0 \times 10^{29}$





**3 0**Which value of resistance **cannot** be made by combining three  $10\ \Omega$  resistors?**[1 mark]****A**  $3.3\ \Omega$  **B**  $6.7\ \Omega$  **C**  $15\ \Omega$  **D**  $25\ \Omega$  **3 1**A particle performs simple harmonic motion with a time period of  $1.4\ \text{s}$  and an amplitude of  $12\ \text{mm}$ .

What is the maximum speed of the particle?

**[1 mark]****A**  $8.6\ \text{mm s}^{-1}$  **B**  $27\ \text{mm s}^{-1}$  **C**  $54\ \text{mm s}^{-1}$  **D**  $110\ \text{mm s}^{-1}$  **25****END OF QUESTIONS**

**There are no questions printed on this page**

*Do not write  
outside the  
box*

**DO NOT WRITE ON THIS PAGE  
ANSWER IN THE SPACES PROVIDED**





